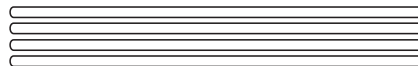
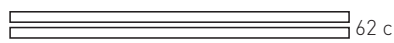

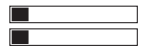


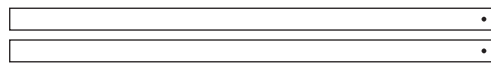
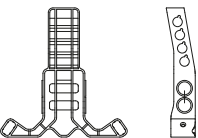


INSTRUCTION MANUAL
FOR PACKING
A MOUNTAINBIKE OR ROADBIKE IN YOUR
BIKE BAG PRO







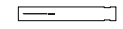


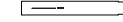

ENCLOSED PARTS BIKE BAG PRO

- 4x WHEELCASE TUBES 
- 2x FRONT STICKS (A)  62 cm
- 2x REAR STICKS (B)  47 cm
- 2x WEBBING LOOPS 
- 1x CLIP-ON WHEEL 
- 1x FRAME PAD 
- 2x ALUMINIUM RAILS 
- 2x HUBS 

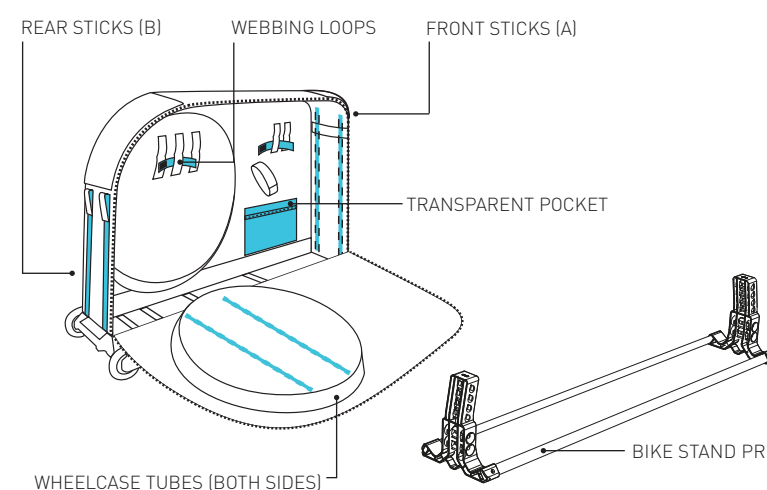
TOOLS NEEDED

-  PEDAL WRENCH
-  ALLEN KEY

ENCLOSED PARTS BIKE STAND

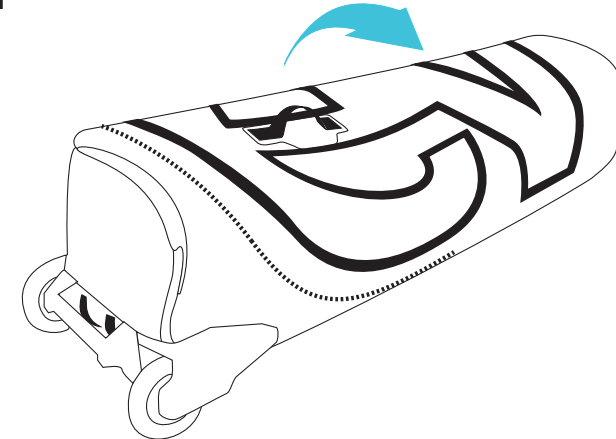
- 10x LOWER AXLE ADAPTERS:**
- 2x QR 5 mm 
 - 2x Thru axle 12 mm 
 - 2x Thru axle 15 mm 
 - 2x Thru axle 20 mm 
 - 2x Boost front spacer 
- 6x UPPER AXLE ADAPTERS:**
- 5 x 130 mm 
 - 12 x 135 mm 
 - 12 x 142 mm 
 - 12 x 148 mm 
 - 12 x 150 mm 
 - 12 x 157 mm 

BIKE BAG PRO AND BIKE STAND PRO

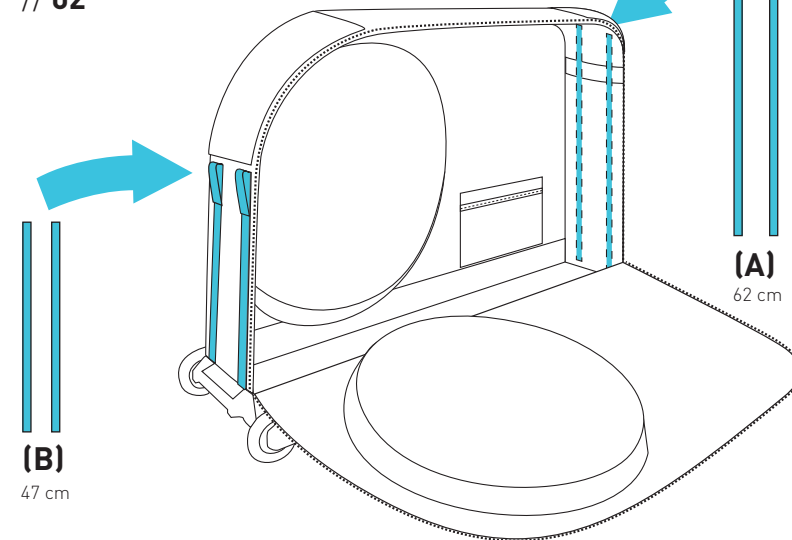


HOW TO ASSEMBLE YOUR BIKE TRAVEL BAG PRO

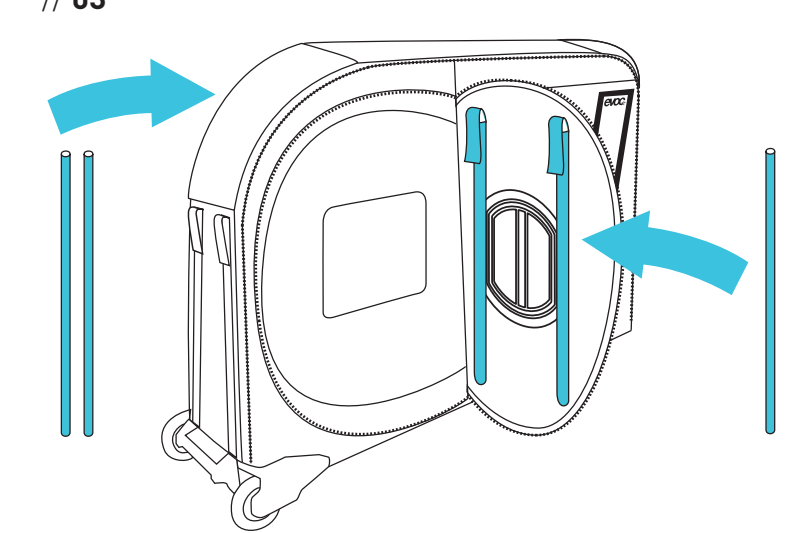
// 01



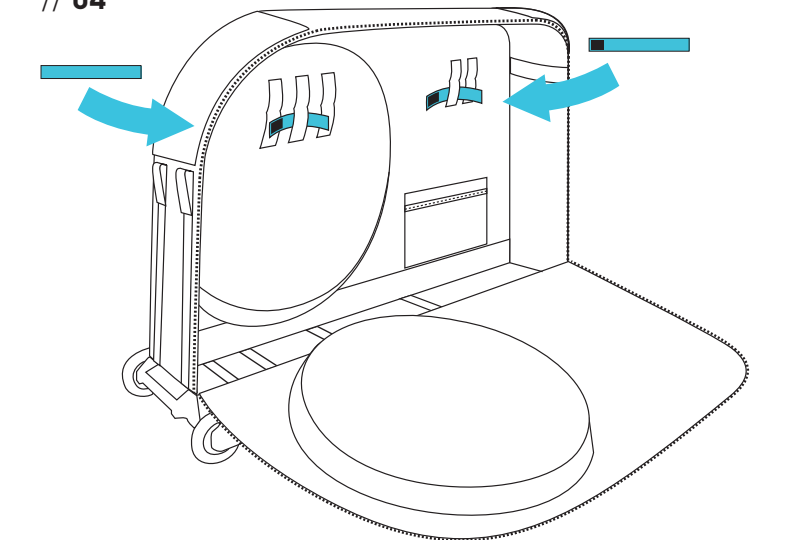
// 02



// 03

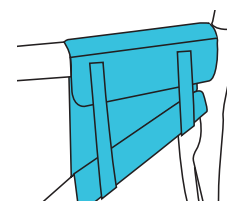


// 04



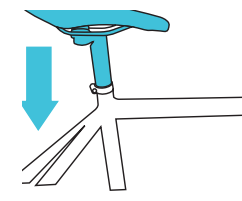
BIKE PREPARATION

// 05



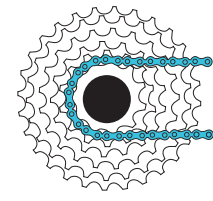
Add FRAME PAD

// 06



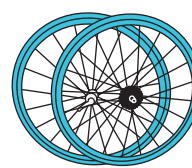
Lower in your bicycle saddle

// 07



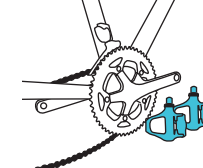
Chain on smallest sprocket

// 08



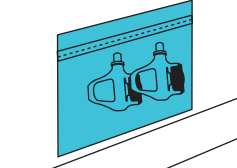
Remove both wheels

// 09



Remove both pedals

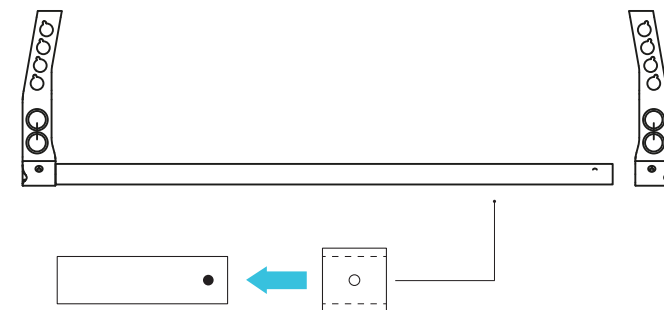
// 10



Put pedals in transparent pocket

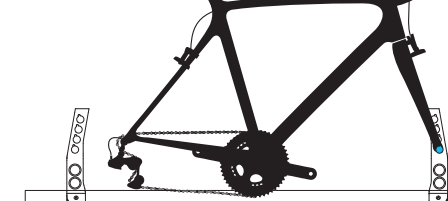
HOW TO ASSEMBLE YOUR BIKE STAND PRO

// 11



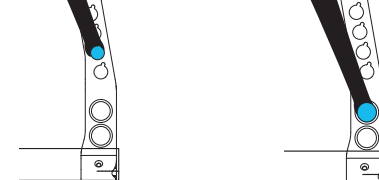
MOUNTING YOUR BIKE ON BIKE STAND PRO (AS SEEN ON ROAD BIKE)

// 12



Place fork on front hub with correct lower axle adapters. Tighten your front axle.

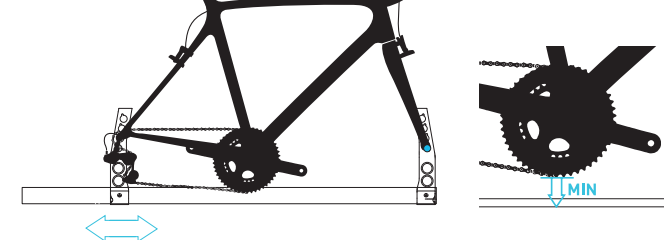
// 13



a) Top level

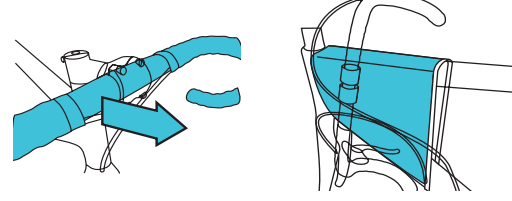
b) Low level

// 14



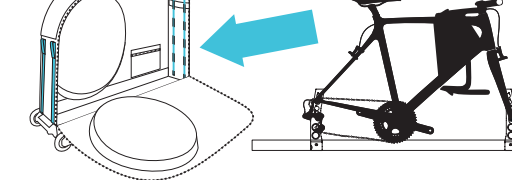
Adjust position of rear hub according to your wheel base. Place rear drop-outs on rear hub with correct upper axle adapter. Tighten your rear axle. Always choose lowest possible level at rear hub according to chain wheel size.

// 15



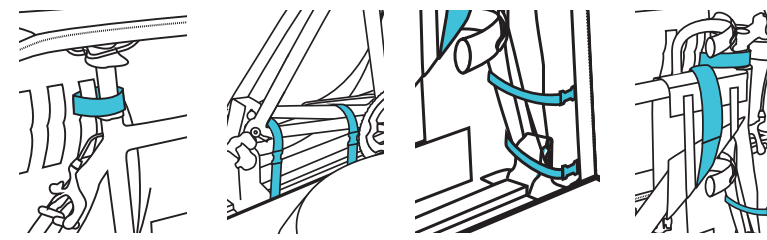
Remove handle bar and fix it on FRAME PAD

// 16



Place your bike in the BIKE BAG PRO

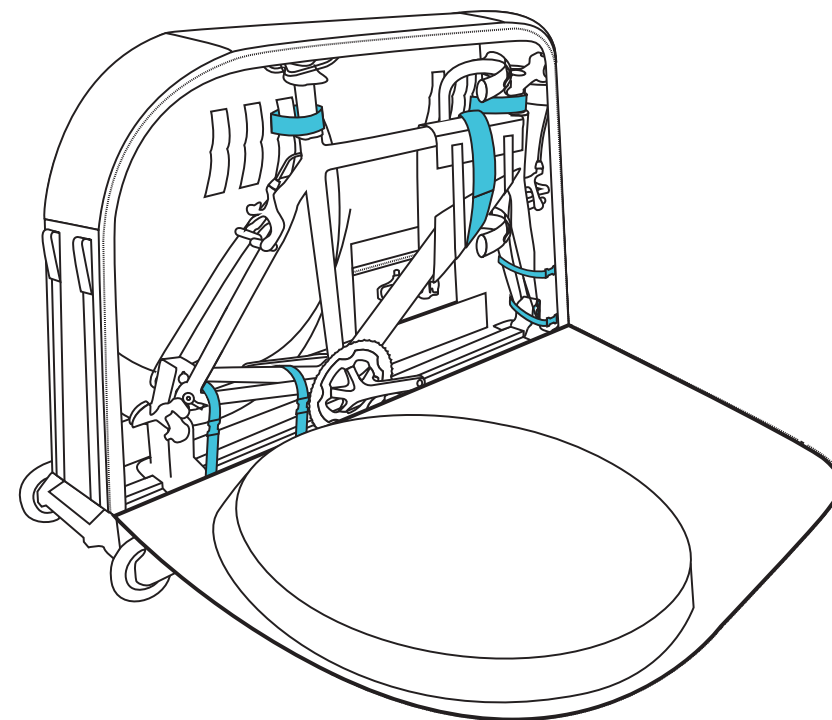
// 17



Fix your bike with red straps

BIKE BAG PRO

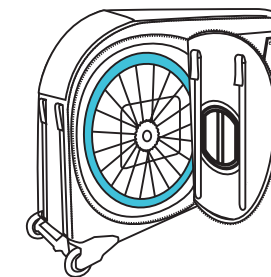
// 18



Looks like this? Almost done!

BIKE BAG PRO

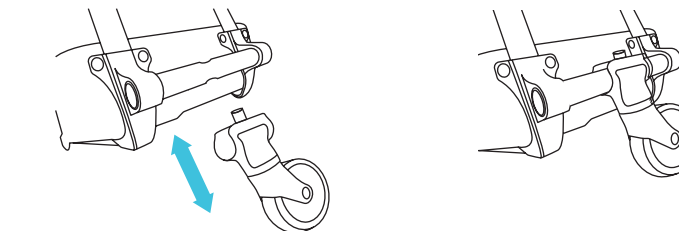
// 19



Don't forget to put wheels in wheel compartment

HOW TO USE THE CLIP-ON WHEEL

// 20



Click CLIP-ON WHEEL to ALUMINIUM FRONT HANDLE SYSTEM. Pin has to go into feed holes!

Remove CLIP-ON WHEEL before luggage drop and put back into BIKE TRAVEL BAG PRO

WARRANTY AND AFTER SALES SERVICE



WARRANTY
www.evocsports.com/service/warranty